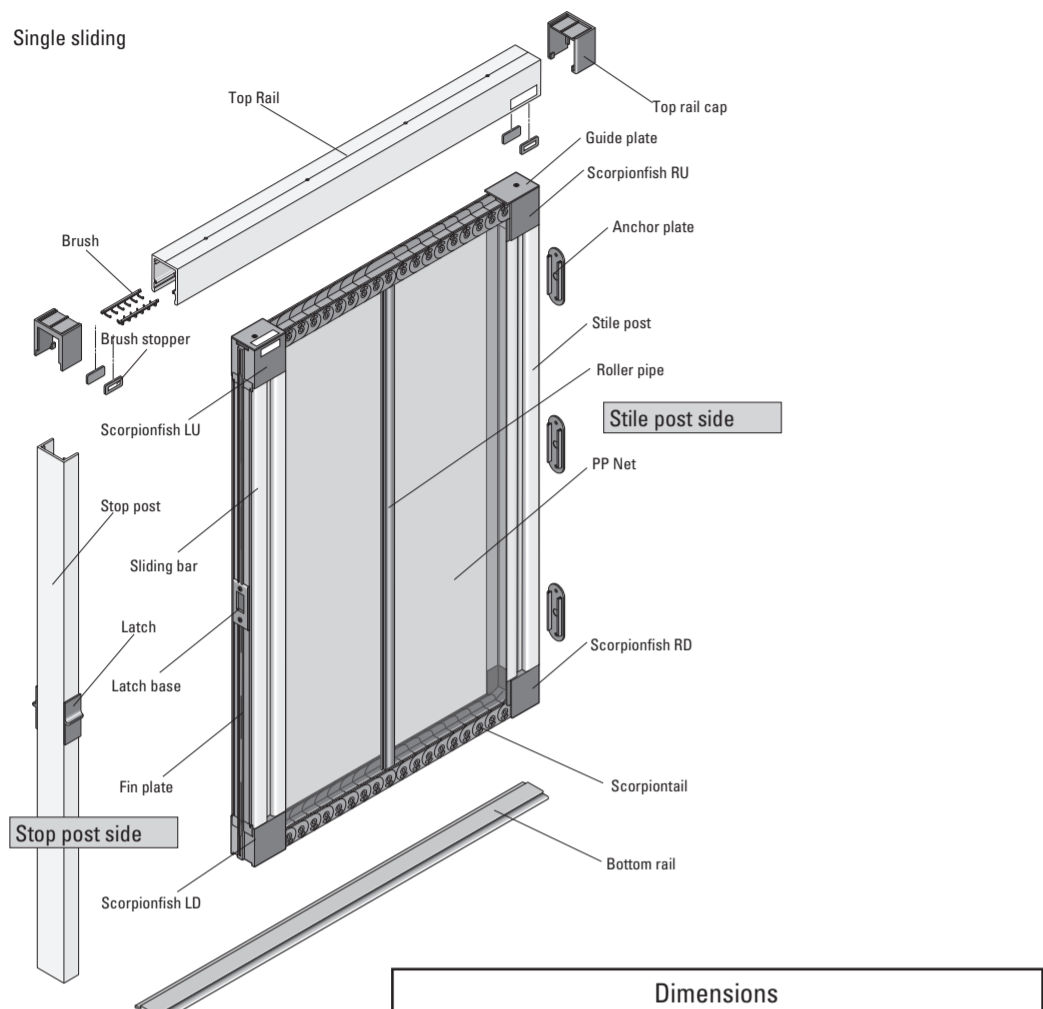




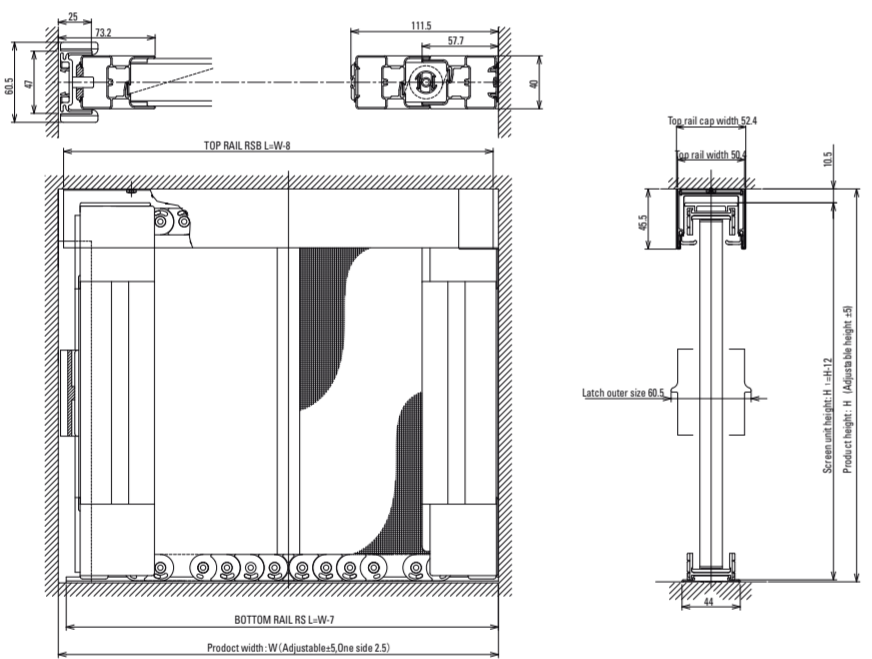
# メタローラーネット® 旋風 Metaco Roller Net Senpoo Latch Type Installation Guide

Thank you for purchasing the roller insect screen.  
Please read these instructions carefully and follow them when installing the screen door. After installation, keep the instructions in a safe place so you can refer to them when necessary.

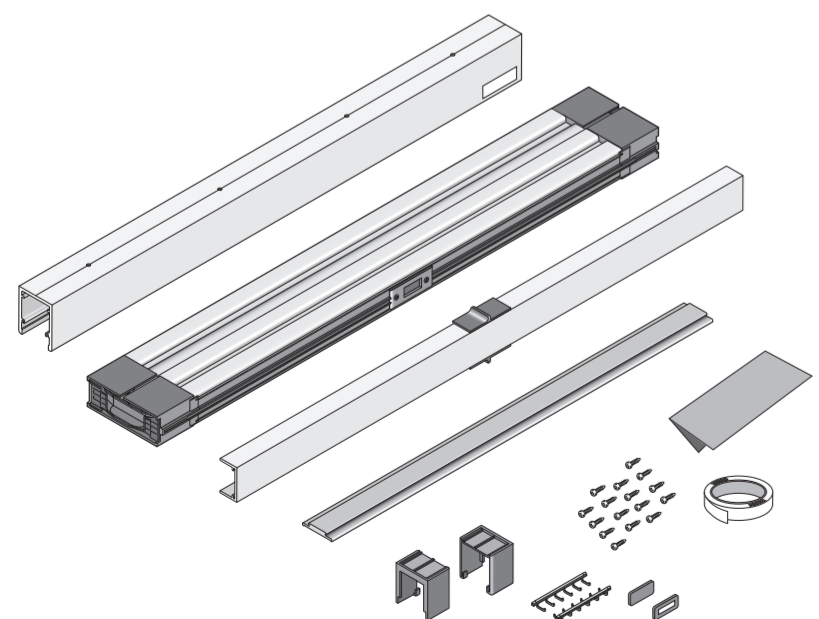
## Configuration and part names



## Dimensions



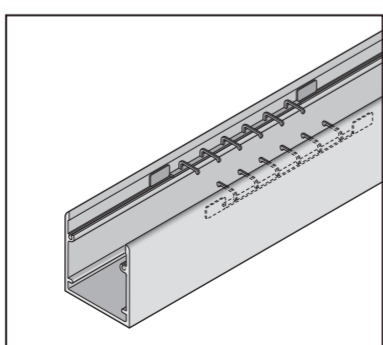
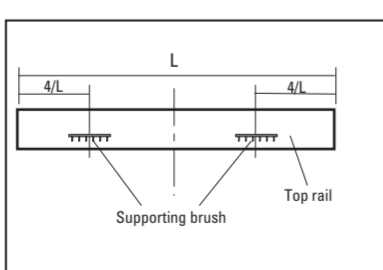
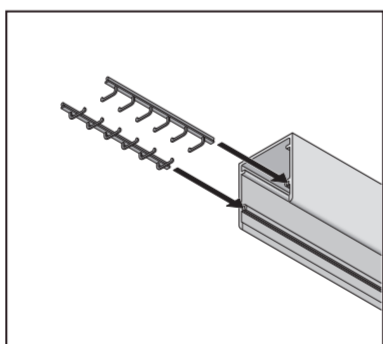
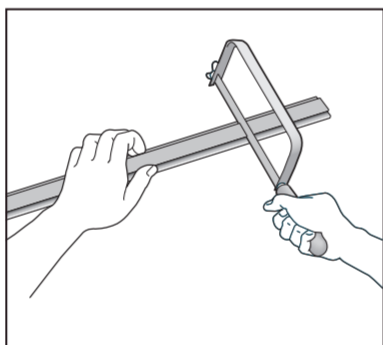
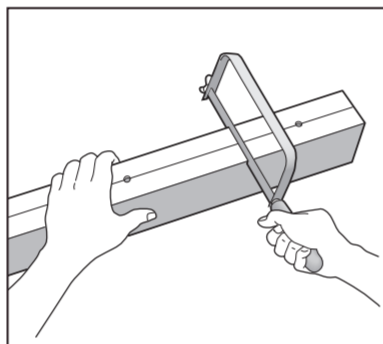
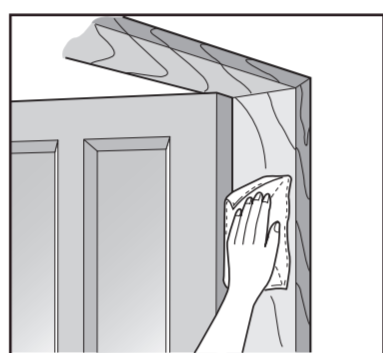
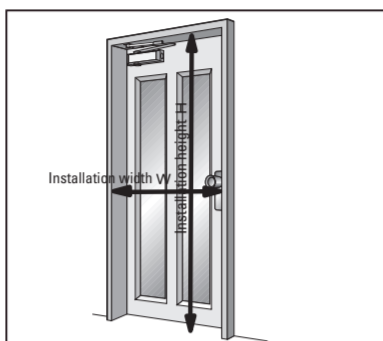
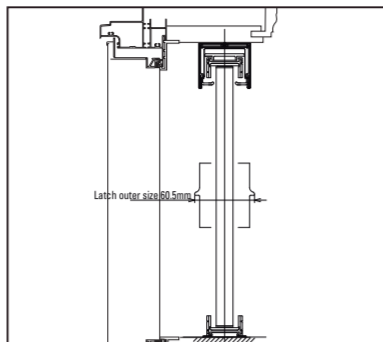
## Package contents



- Top rail 1
- Bottom rail 1
- Stop post 1
- Screen door unit 1
- Accessory set
  - Top rail cap 2
  - Tapping screw 24
  - Brush 4
  - Brush stopper 8
  - Both sided adhesive tape 1
- Installation guide 1

## Installation

### Installation



1. Double-check the installation position.  
Choose an installation position where the screen door opens & closes unimpeded.
  - ① Choose a place where the rail & floor are flat and where there is a width of at least 60.5 mm for installation
  - ② Make sure a doorknob or a door check doesn't interfere with the screen door after it's installed.
  - ③ Make sure the facing surfaces at the opening are parallel and all the four corners are right-angled.

2. Clean the installation surface  
Wipe away all oil residue, dust, water, sand and mud from the installation surface and the floor and then wipe these surfaces with a dry cloth to ensure that the product is installed properly.

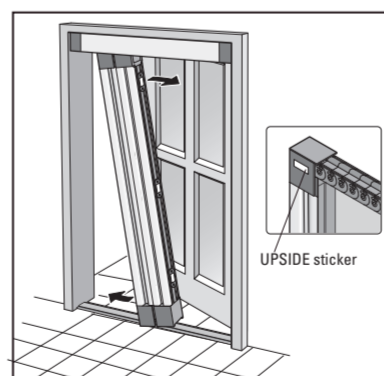
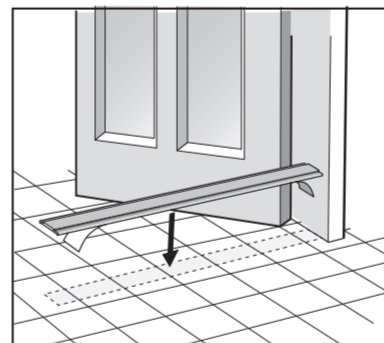
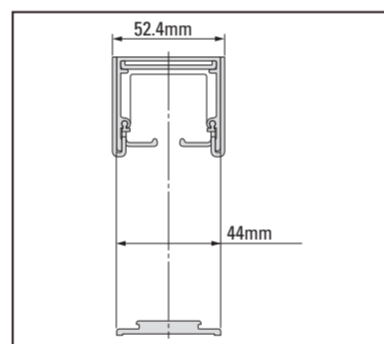
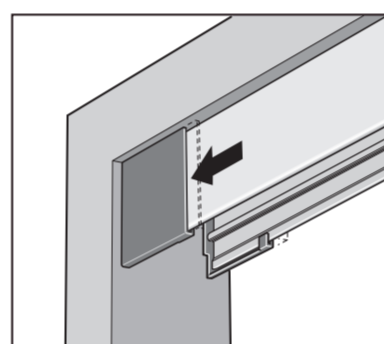
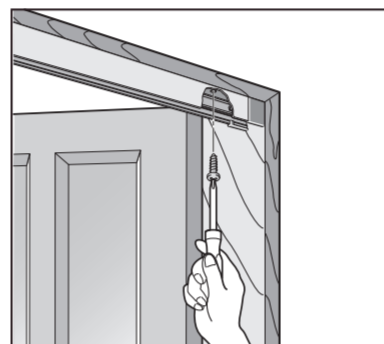
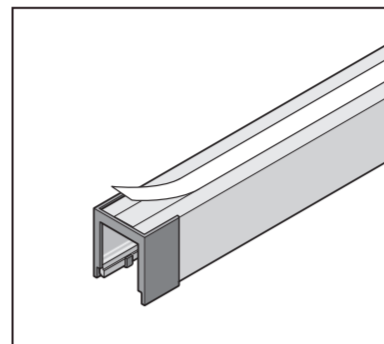
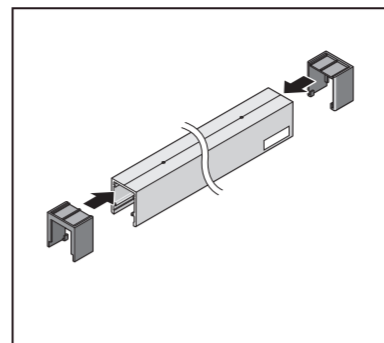
3. Cut the top rail.  
Cut the top rail to fit the installation width.  
Cut dimension: Installation width - 8mm  
Note: There is a sticker on the side of the top rail. This side should be cut if necessary. Be careful not to bend the top rail and cut it as this may affect the operation of the screen door.

4. Cut the bottom rail.  
Cut the bottom rail to match the installation width.  
Cut dimension: Installation width - 7 mm  
Note: Don't cut it too short. This may cause the bad operation.

5. "Supporting brush set" to prevent the scorpion tails from drooping.  
Insert "Supporting brush set" into the holes of the top rail.

Positions to fix "Supporting brush set" at  
Refer to the drawing on the left and insert "Supporting brush" into holes on both edges to fix the positions of "Supporting brush set".

Stick "Supporting brush set" in position  
Take off the tape covering paper and insert "Brush stoppers" into holes on the top rail and stick them onto inside of the top rail.  
Stick them on both edges of each "Brush" and fix them.



6. Insert the top rail caps.  
Insert the top rail caps on the ends of the top rail.

7. Install the top rail.
  - ① Place the both-sided adhesive tape on top of the top rail and take away the white cover tape.  
Make sure that top rail caps are deeply inserted to each edge of the top rail and align the top rail with the installation position so that the space on the left & right side is equal. Then the top rail shall be pasted onto the top of the installation frame.  
Note: Make sure that the top rail is straight when you install it. If it leans, the screen door may not open and close properly.

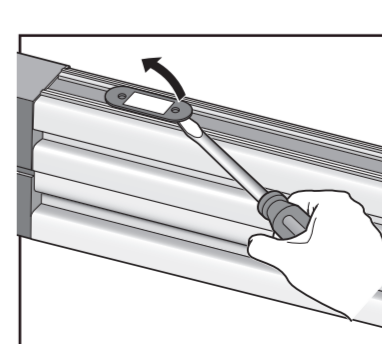
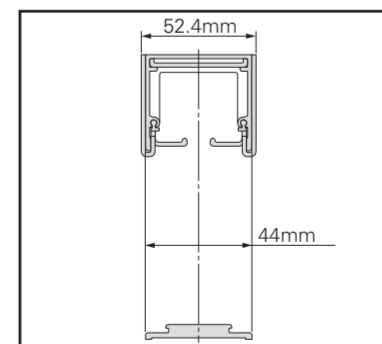
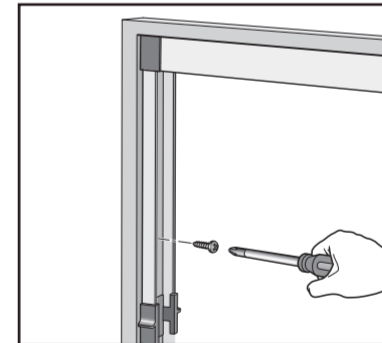
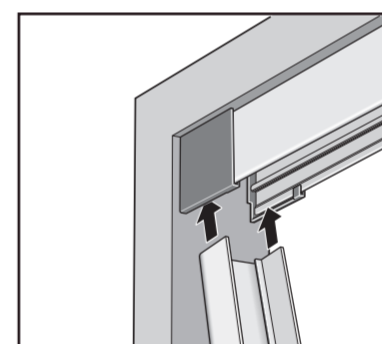
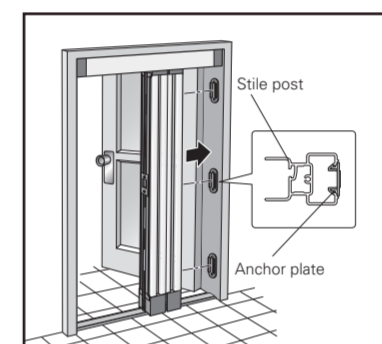
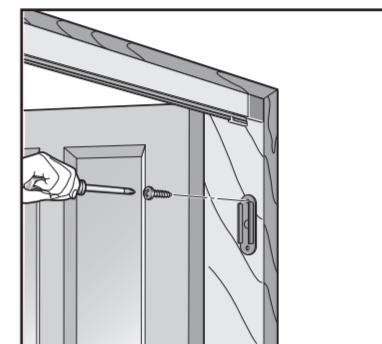
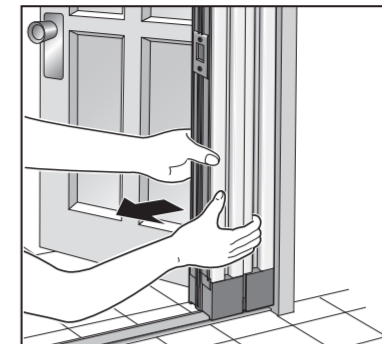
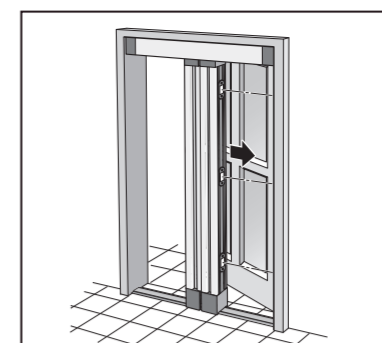
- ② Fix the top rail with tapping screws.  
Note: Don't screw in the tapping screws too tightly. Otherwise, this may warp the top rail.

Push the end caps onto both ends until they get tight and there are no gaps.

8. Install the bottom rail.
  - ① Set the retractable side and the stop post side for the screen door unit.
  - ② Mark the position where the bottom rail is to be installed exactly in line with the top rail as shown in the drawing to the left.  
Note: The inner width of the top rail and that of the bottom rail are the same.  
Install the bottom rail so the center lines of the top rail and bottom rail match.  
If they don't match, the screen door may not open and close properly.

Remove the white paper covering the both-sides-adhesive-tape and press the rail firmly in place along the mark you have made. Install the rail so that it touches the retractable side. Then there shall be some space on the stop post side.  
Note: If you remove the rail to correct its position, the both-sides-adhesive-tape may lose its adhesion, so make sure to mark the position in advance and install it properly. To ensure that the rail adheres properly, leave it set for 24 hours.

9. Attach the screen door unit.  
Note: In case the frame surface for the installation is cloth-finished, refer to 9-B (Installation guide) as the both sided adhesive tape may not well stick to the cloth-finished surface.
  - ① Remove the white binding tape from the screen door unit.
  - ② Check if the screen door unit is right side up. The scorpionfish LU with "Upside" sticker must be used as the top side.
  - ③ Remove the white protective paper off the anchor plate that is already fixed to the back side of the stile post.
  - ④ Tilt the screen door unit and fit it between the top rail and the bottom rail.



- ⑤ Keeping the bottom of the screen door unit in contact with the bottom rail, press the adhesive surface of the anchor plate against the door installation frame to fix it in place.  
Note: Make sure that the screen door unit is right on the bottom rail. Also don't open and close the screen door unit until the installation is complete. Otherwise, it may damage the screen door.

10. Screw the anchor plates to the door installation frame.
  - ① Hold the stile post with both hands and pull it towards the door stop. Then the screen door unit comes off the door installation frame. Instead of pulling evenly over the whole post, it's easier to pull it either one end first.  
Note: Be careful and take it off so that the screen unit doesn't fall over you.

- ② At this point, the anchor plates are only temporarily attached to the door installation frame with its both-sides-adhesive-tape so they must be fixed with tapping screws.  
Note: Don't tighten the screws too far as this may break the anchor plates. So you should tighten the screws by hand. Don't use the electric screw driver.  
In case the anchor plates come off together with the screen unit, please refer also to 9-B for the installation.

11. Fix the screen door unit.  
Using the same procedure as when you temporarily attach the anchor plates as described and explained in 9, align the stile post with the projections of the anchor plate and press it firmly to fit the screen door unit in place.

12. Install the door post.
  - ① Insert the top of the door post into the gap between the top rail and the top rail caps.  
Leave the bottom of the door post touch the floor.  
Note: You can check the up-side of the door post with "Open" sticker on the latch.

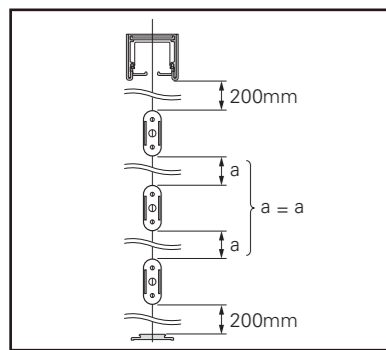
- ② Fix the door post with tapping screws.

- 9 - B. Attach the screen door unit (In case of "Cloth-finished")
  - ① Draw the vertical center line on the stile post side frame from the top to bottom.

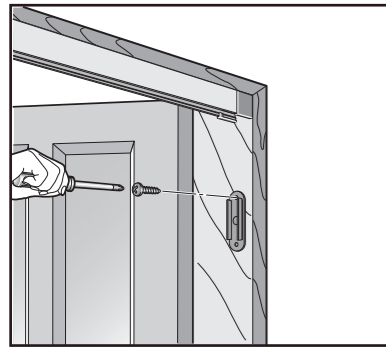
- ② Take away the anchor plates from the screen door unit.

## METACO inc. HEAD OFFICE

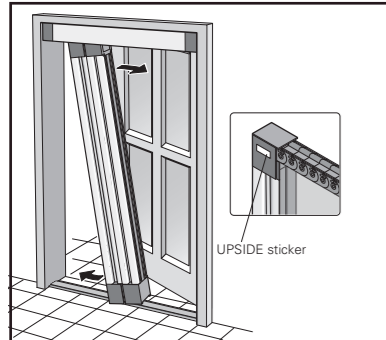
203 Nagatani Hill Plaza Roppongi, 7-3-8 Roppongi, Minato-ku, Tokyo,  
106-0032 Japan TEL 81-3-5414-2506 FAX 81-3-3403-6498  
URL <http://www.metaco.net>



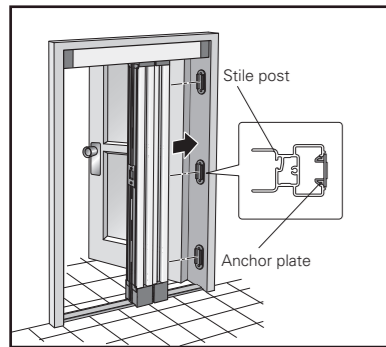
③ On the vertical center line drawn in 9-B-① check the marks at the position 200mm away from the top rail and also from the bottom rail. And also check the marks at the same distance between each anchor plate afterwards.



④ Provisionally place the anchor plates at the above mentioned marks after taking away the white tape from the anchor plate.  
 ⑤ Fix the anchor plates with tapping screws.  
 Note: Don't screw in the tapping screws too tightly. The anchor plate may get broken. Don't use the electric screw driver.



⑥ Remove the white binding tape from the screen door unit.  
 ⑦ Check if the screen door unit is right side up. The scorpionfish LU with "Up side" sticker must be used as the top side.  
 ⑧ Tilt the screen door unit and fit it between the top rail and the bottom rail.



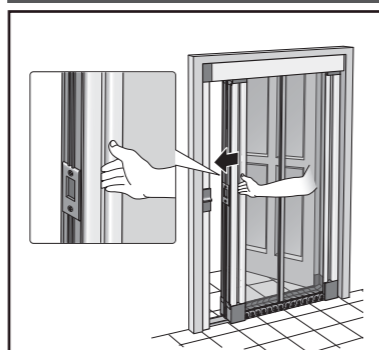
⑨ Keeping the bottom of the screen door unit in contact with the bottom rail, align the stile post with the projections of the anchor plate and press it firmly to fit the screen door unit in place.  
 Note: Make sure that the screen door unit is right on the bottom rail. Also don't open and close the screen door unit until the installation is complete. Otherwise, it may damage the screen door. ( Continue to 12)

#### Check on the installation completion

The installation is done. Check the following points before the delivery to the clients.

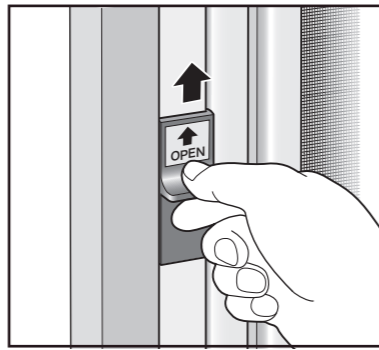
- ① Open and close the product several times to check if there is any problem with the operation.
  - ② Check if there is any problem with the installation of the top rail and the bottom rail.
  - ③ Check if there are no scratches, bend or distortion on the aluminum profiles.
  - ④ Check if the anchor plates and the stile post are respectively fitted well.
  - ⑤ Check if there is no gap between the sliding bar and the door post or any other fittings.
- In case there is any problem with any part of the product, please contact the sales agent.

#### Operation



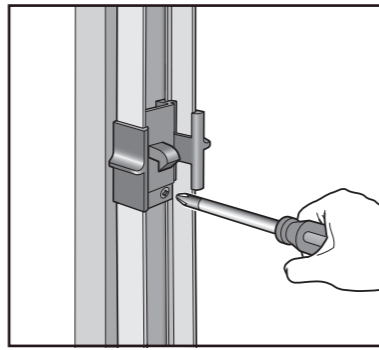
Make sure to hold the central part of the sliding bar to open & close the unit. Push it onto the door post until the latch clicks and gets firmly hooked.

Note: If you try to operate the sliding bar at the extreme edges, it may make the operation unsmooth.



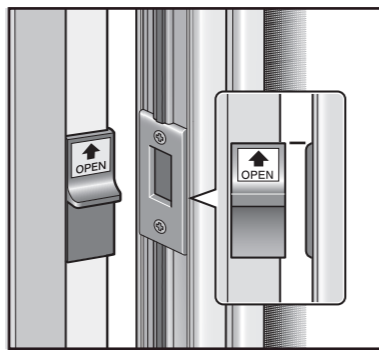
Release the latch upwards to open the screen door. Then push the sliding bar by hand towards the stile post to open the screen door.

Note: For safety reason, the screen door doesn't get retracted at the stile post at a time.

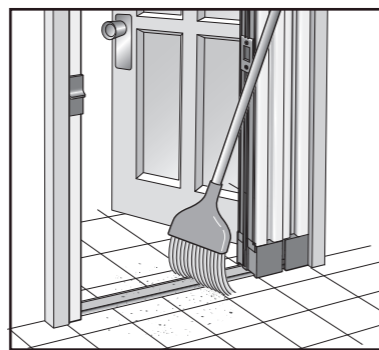


#### The latch position adjustment

In case the sliding bar doesn't fit well at the latch when closing the screen door, adjust the latch position on the stile post. Unscrew the latch to adjust the latch position and fix it back with screws.

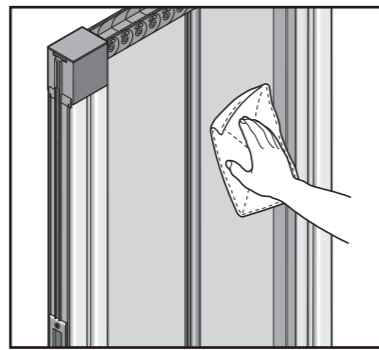


#### Regular Care



#### 1. Clean the rail and its surrounding area.

The pileup of small pebbles, sand, dust and mud etc on and around the rail may result in wear or eventual damage which prevents the screen door from opening and closing smoothly. Clean these areas thoroughly to remove all dirt and foreign objects.



#### 2. Regular care on the screen

Wipe the dirt off the screen with the cloth soaking with neutral detergent.