

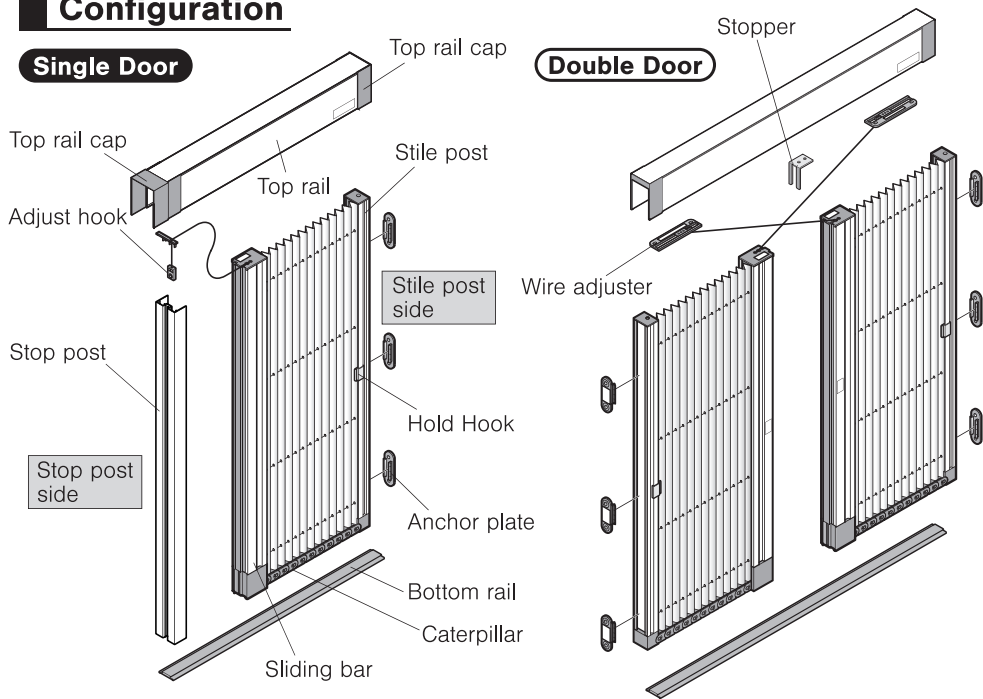


メタコプリーツネット 新風 Metaco Pleat Net Shinpooh

Installation manual

MTEC1E01

Configuration



Thank you for purchasing Metaco Pleat Net Shinpooh. Please read this instruction manual thoroughly before installing the product and keep this manual for future reference.

©METACO Inc.

SAFETY CAUTION

For your own safety and damage to the property, this manual uses following symbols and indications. Please take a close attention and read the definition of each signs.

■ Failure to follow the operation may result in following.

Warning Improper use may result in death or serious personal injury.

Caution Improper use may result in personal injury or property damage.

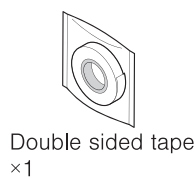
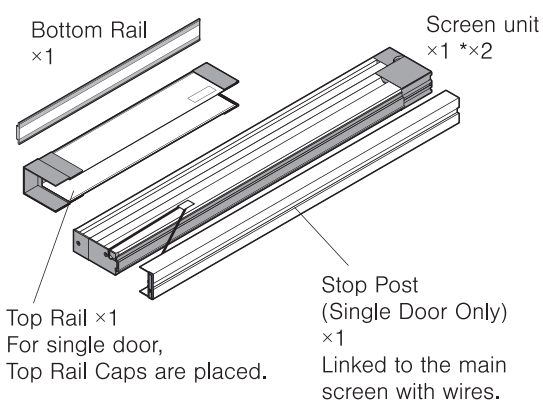
■ Other symbols used in this manuals are defined as below.

You are not allowed to operate in described condition.

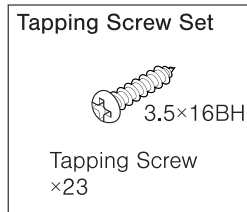
You must follow and operate as instructed.

Packing Details

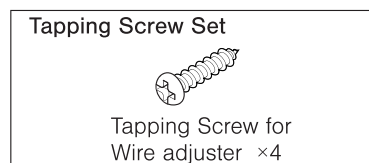
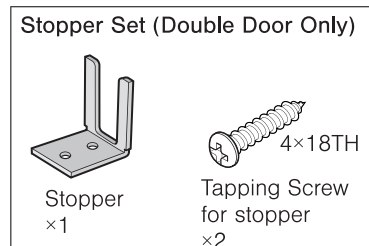
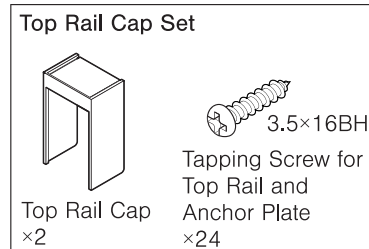
Check if all parts are included.



Single Door



Double Door



*For Double Door

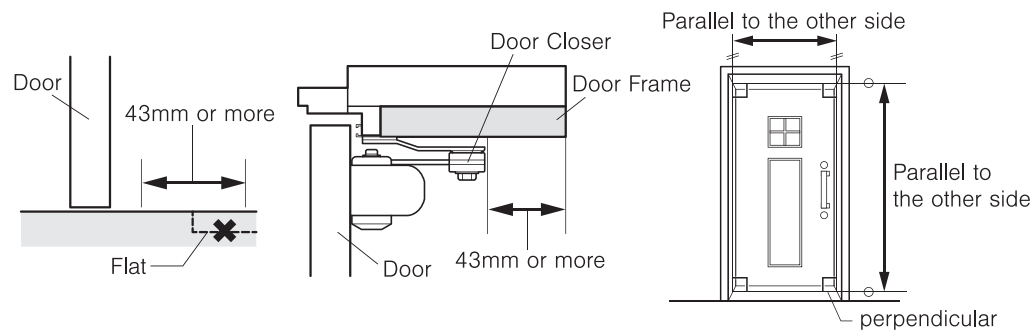
Installation

1 Before installation

Check the installing location

Before attaching the unit, check and confirm the measurement of installing location.

1. There should be no step or height difference on place installing.
2. Make sure that door knob, handle, closer do not interfere the screen door.
3. Installing location opening must be parallel and perpendicular.

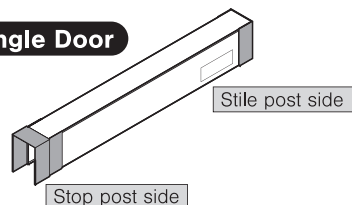


Clean all four sides and corners before installing the unit

Caution Always wear working gloves during installation. You may have a puncture wounds and cuts from aluminum profile edge without gloves.

2 Top Rail

Single Door



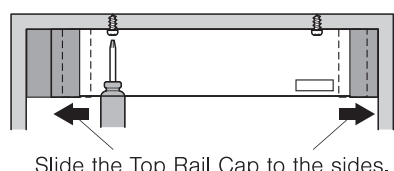
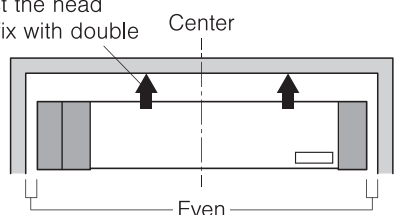
Place Top Rail Caps on both ends of Top Rail ensuring larger size cap is at the Stile Post side for single door.

Place the double sided tape on Top rail and take off the white tape.

Please stick it on the ceiling of the frame temporarily and make space almost equal on both edges.

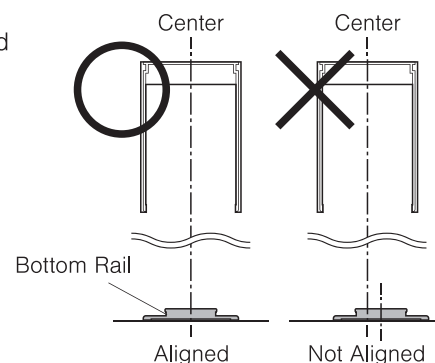
Fix the Top Rail with the tapping screws. Do not fix the tapping screw too strong. Slide the Top Rail Cap to the sides of frame.

Press against the head jamb to pre-fix with double sided tape.



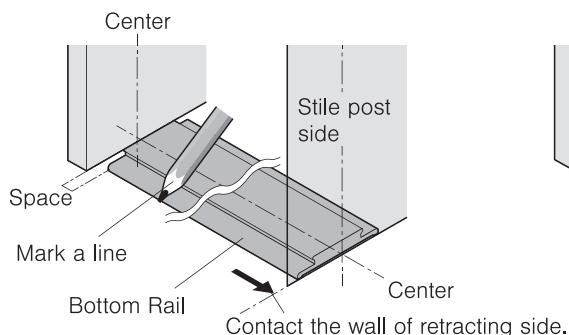
3 Bottom Rail

Align the center line of Top Rail, Stop Post and Bottom Rail. If the center line is not aligned straight it may affect the operation of product.



Place the Bottom Rail to the retracting side and marked a line to align. There will be a space between the Stop Post and Bottom Rail. In case of double door specification, place the Bottom Rail to either side.

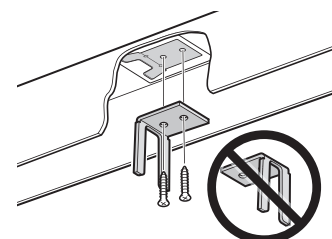
Peel the double sided tape and press it against the floor.



Double Door

Stopper (Double Door Only)

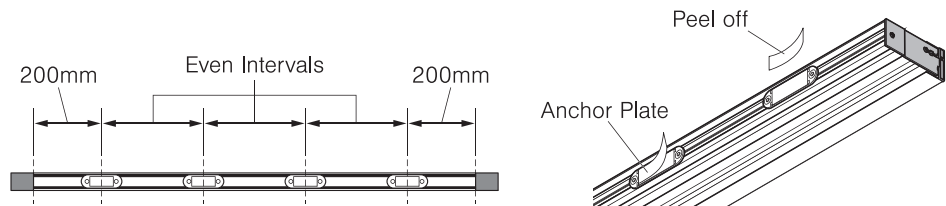
Install the Stopper where both screen doors meet. Please refer to the picture on the installing direction.



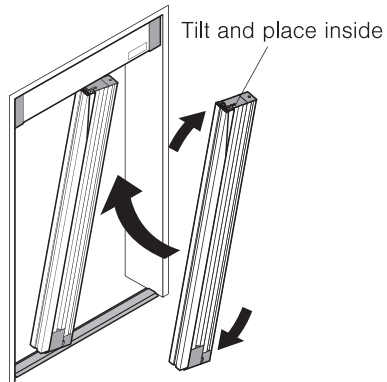
continued on back page

4 Stop Post / Anchor Plate

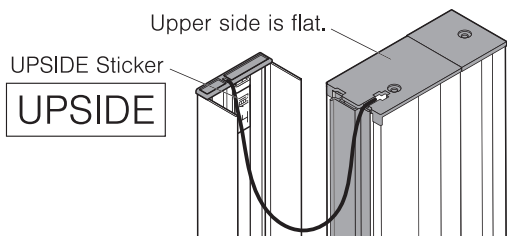
Check "**POINT** When installing on wallpaper" in case you have a wallpaper on frame. Check the position of Anchor Plates at the back of main unit. As shown below, leave 200mm from the sides and the rest will have even intervals. Peel off the double sided tape on back of Anchor Plate.



Tilt the unit and place it between the top and bottom rail. The screen unit and Stop Post are connected by the wire. Do not take off the wire from the Stop Post.



POINT Before installing, please ensure that the screen unit is facing the correct position. The UPSIDE sticker should be on upper side.

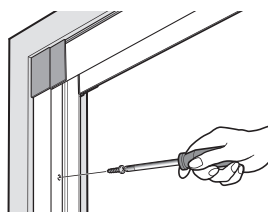


NOTICE Don't do any "open" and "close" operation till the installation is completed. It may damage the operation.

Single Door

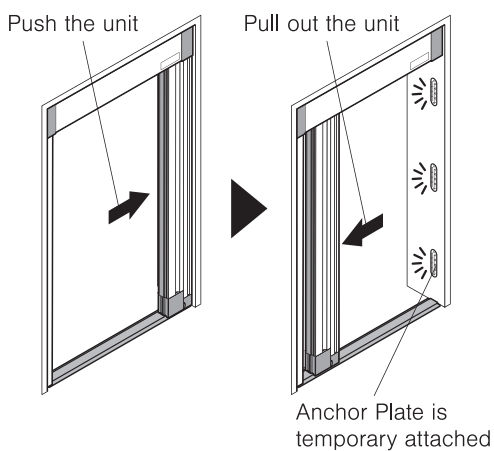
Stop Post

Ensure the Stop Post is close enough to the bottom floor and secure the Stop Post with Tapping Screw.

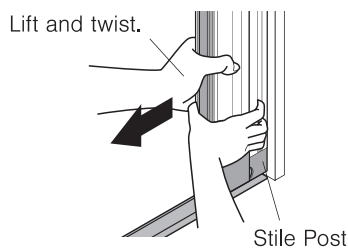


Push the unit to the side frame so the double sided tape on Anchor Plate is temporary fixed.

Pull out the main unit. Anchor Plates will remain at the wall.



POINT Lift the main unit little from the ground and give a twist while pulling it.

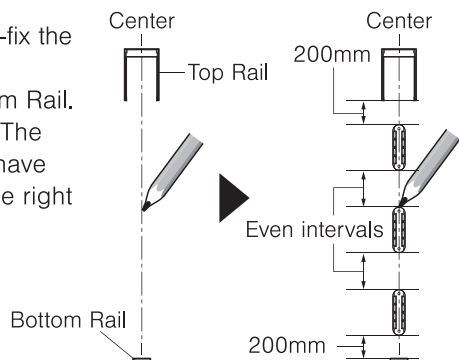


Fix the Anchor Plates with tapping screws. Do not tighten the screws more than necessary as it may break the Anchor Plates. Proceed the same with other side for double door specification.

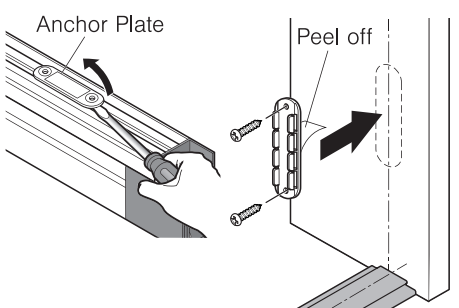
POINT When installing on wallpaper

Follow below instruction when you cannot pre-fix the Anchor Plates.

Mark a center line between Top and Bottom Rail. Mark the fixing position of Anchor Plates. The very top and bottom Anchor Plates must have 200mm from Top and Bottom Rail. See the right figure for your understanding.

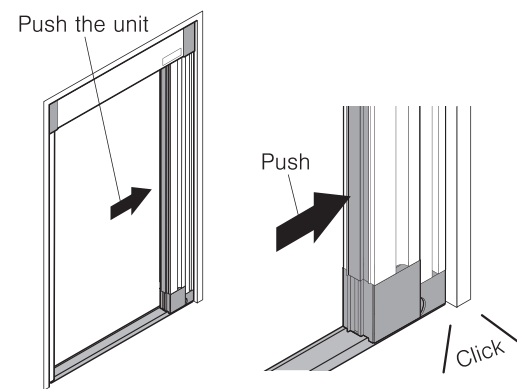


Use a flat headed screwdriver to take out the Anchor Plates from the main unit. Peel off the double sided tape and temporary attach the Anchor Plate and fix it with tapping screws. Anchor Plate is attached on the back of Stile Post. You can pull it off with flat head screwdriver.



5 Attach the unit

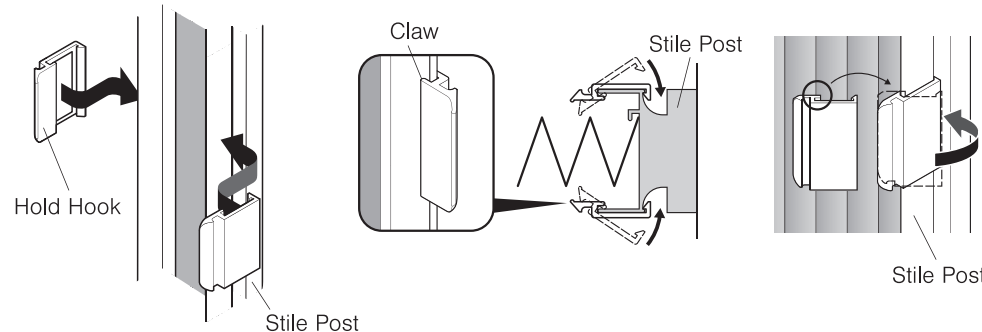
Press back the main unit to the Anchor Plate until you hear a click sound. Proceed the same with other side for double door specification.



NOTICE Open and close the unit after installation and make sure it does not come off.

6 Hold Hook

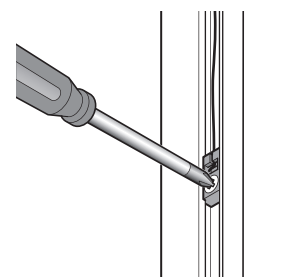
1. Peel off the double sided tape on back of Hold Hook.
2. Click in the claw of Hold Hook into the Stile Post. Place the Hold Hook on the operation side.



7 Wire Adjustment

Single Door

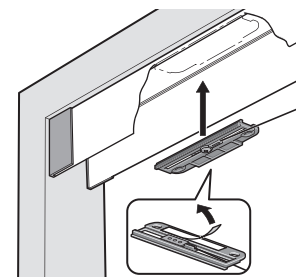
Loosen the screw on Adjust hook a little so that it can move up and down. Move down Adjust hook so that the wire (which can be seen through inside Top rail) loose is corrected and adjust the wire tension. Tighten the screw on Adjust hook and fix the right position.



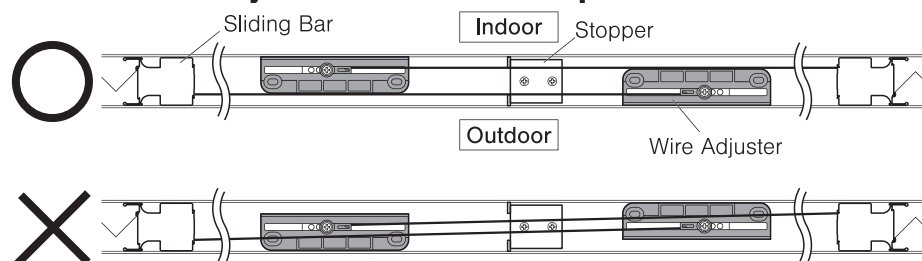
Double Door

Peel back the non-adhesive side of the double-sided tape on the Wire Adjuster.

Pull the Wire Adjuster with the wires passing in between the Stopper, and install into the Top Rail applying some tension. Wires shall run straight and parallel as shown in the picture below.

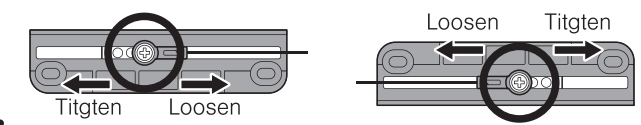


Wires and Wire Adjusters should not overlap and obstruct one another.



Fix the Wire Adjusters with the Tapping Screw. Proceed the same with the other side.

POINT Adjust the wire tension with the screw on the Wire Adjuster. Too much tension may cause the screen door unit operate heavily.



8 Inspection after installation

- Check the movement of the product after installation.
1. Confirm the movement by opening and closing the screen several times.
 2. Confirm the Top and Bottom Rail are installed correctly.
 3. Confirm if there are no damage to the aluminum profiles.
 4. Confirm if Stile Post and Anchor Plate is connected properly.
 5. Confirm if there are any gap between sliding bar and stop post when closed.

Caution Do not operate the product when the product is broken or not properly installed. Product may come off and may result in a fall accident.