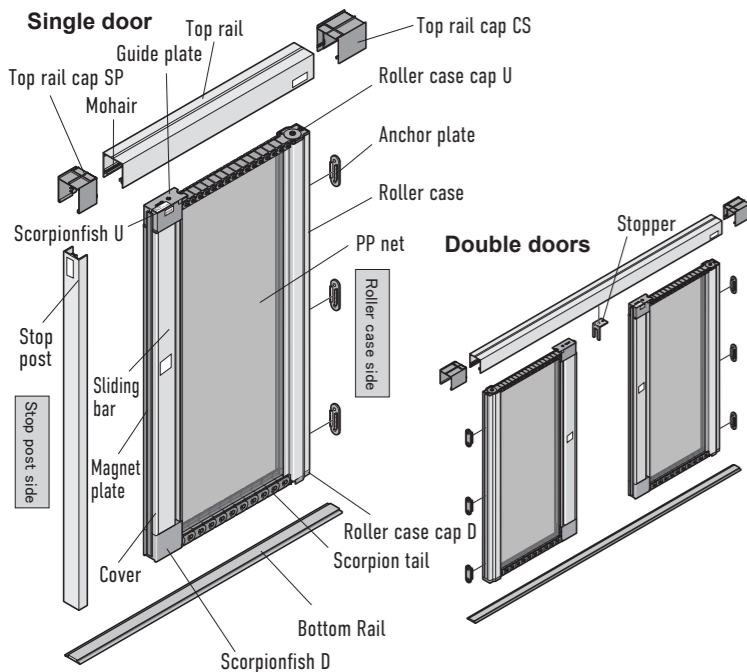


METACO Metaco Roller Net Tenpooh

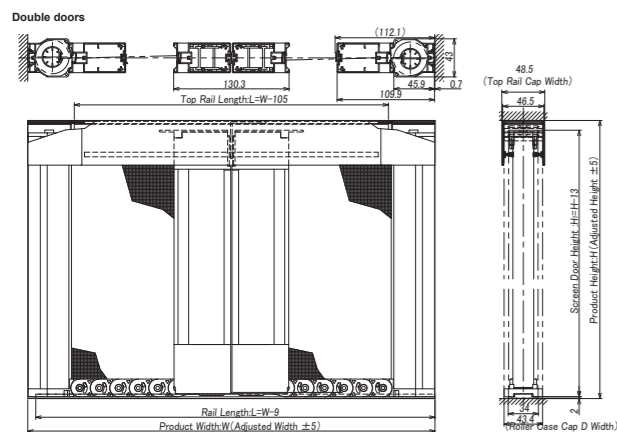
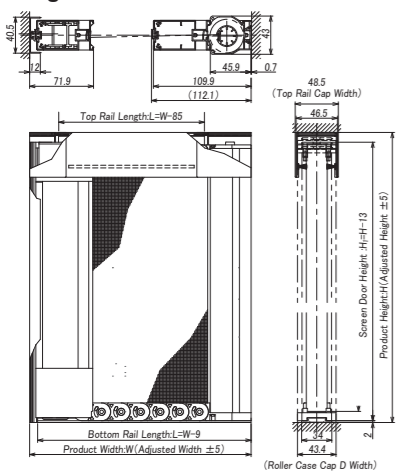
Magnet Type Installation Guide

Thank you very much for purchasing our Tenpooh. Please read Carefully this installation manual and install it properly. Please also keep this manual.

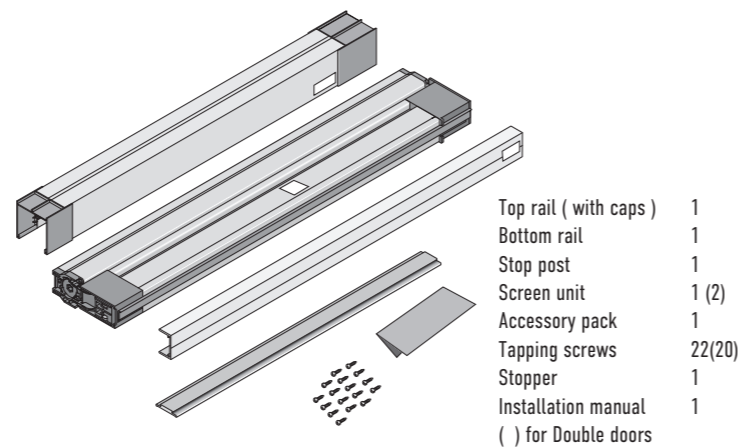
Configuration and part names



Single door

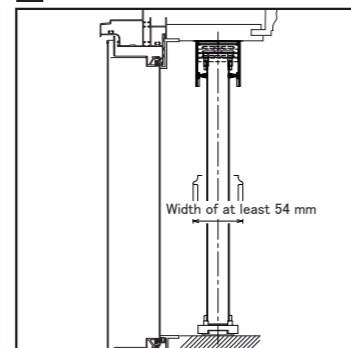


Packing contents



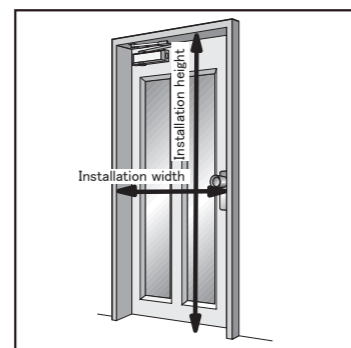
Installation

1 Reconfirm the installation location.



Choose an installation location at which the screen door can be opened and closed unimpeded.

- Choose a place where the rail and floor can be flat, and where there is a width of at least 54 mm for installation.
- Make sure doorknobs and door closers will not interfere with the screen door after it is installed.
- Make sure the facing surfaces at the opening are parallel and all four corners are right-angled.

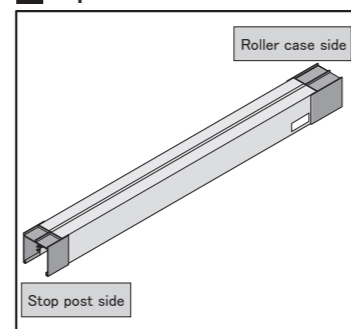


2 Clean the installation surfaces.

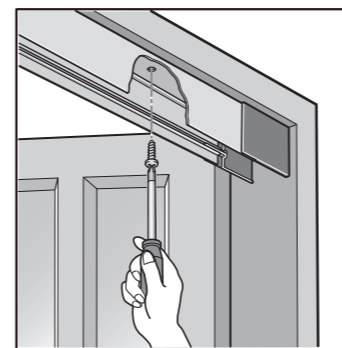


Wipe away all oil residue, dust, water, sand and mud from the installation surface and the floor and then wipe these surfaces with a dry cloth to ensure that the product is installed properly.

3 Top rail installation

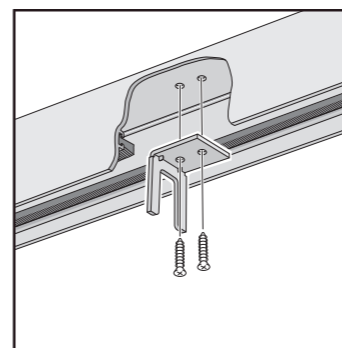


- Confirm that the top rail caps are already fixed and that they are deeply inserted. The larger top rail cap should be to the side of Roller case.

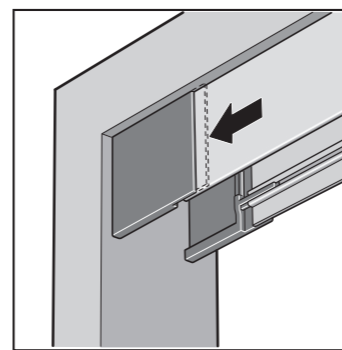


- Fix the top rail with the tapping screw. Place the top rail on the center and make sure the spaces on both ends of top rail are same.

Note) Do not tight the tapping screw too strong. It may damage the top rail.

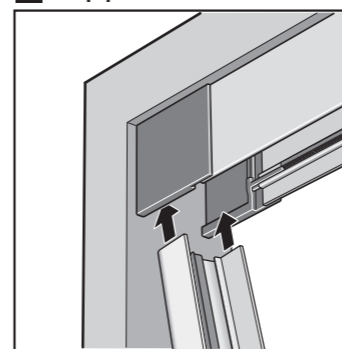


Install Stopper (for Double doors)
Install and screw fix the Stopper where both screen units meet.



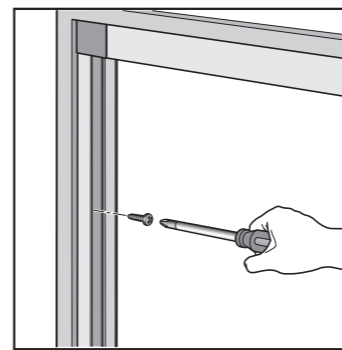
Push the end caps onto both ends until they get tight and there are no gaps.

4 Stop post installation



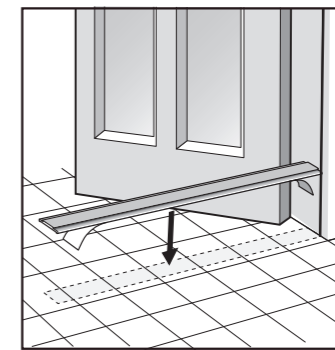
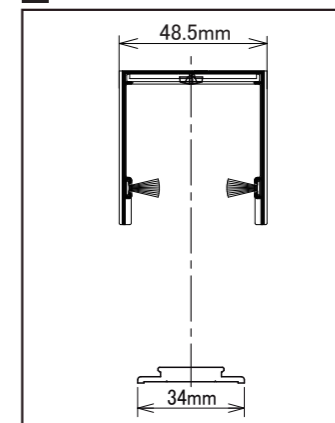
- Check the upper side of the stop post and insert into the smaller top rail cap side.

Note) The upper side is labeled with a "UPSIDE" sticker.



- Fix the Stop post with the tapping screws.

5 Bottom rail installation

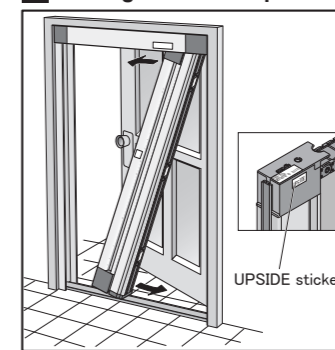


- Choose which side the stile post should come to for the screen unit installation.
- Place the bottom rail in line with and right under the top rail as shown to the left by marking the floor where the bottom rail is to be stuck.
- Fix the bottom rail after aligning with the center line of top rail. If the center line is not aligned correctly, it may affect the movement of the unit.

Peel the white double-sided sticker off the bottom rail and place it in line with the marked position and push the bottom rail strongly down along the floor so that it reaches the side of Stile post. Note that there is some space on the side of Stop post.

Note) Try to stick the bottom rail in the proper position in order not to repeat the same work so that the adhesion deteriorates. Also note that it should stay untouched for at least 24 hours till it fully sticks to the floor.

6 Placing the Anchor plate temporarily



In case the surface of the installation place is relatively slippery such as cloth finish, as it's not easy to stick the double-sided tape on it, please refer to "In case of cloth finish" at the back of this page.

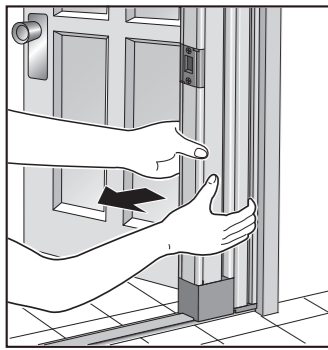
- Take the bonding tape off the screen unit.
- Confirm the top side of the screen unit. As scorpion fish U has "UP SIDE" sticker on it, it's easy to know which is the top side.
- Peel the tape of the double-sided sticker off the anchor plates placed at the back of stile post.
- Tilt the screen unit and insert it in the space between Top rail cap CS and Bottom rail on Roller case side.
- Make sure that the unit is on the rail. Slide it to the retracted side and push it hard, so that double-sided tape on the anchor plate is temporary stuck to the wall.

Note) Never do any "close and open" operation of the screen unit till all the installation is completely done. It may cause the damages.

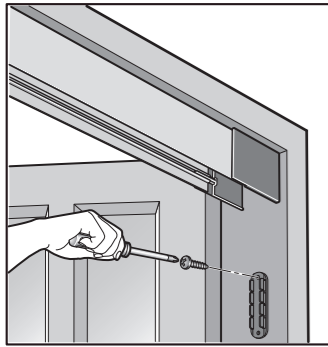
METACO inc. HEAD OFFICE

203 Nagatani Hill Plaza Roppongi, 7-3-8 Roppongi, Minato-ku, Tokyo, 106-0032 Japan TEL 81-3-5414-2506 FAX 81-3-3403-6498 URL http://www.metaco.net

8 Fixing the Anchor plate



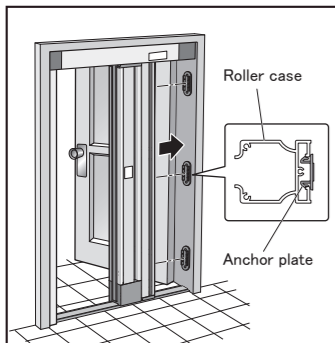
① Place your hands on the stile post as shown in left drawing. Pull it hard so the unit is pulled off and only anchor plate remains on the wall. Pull it from the bottom end so the anchor plate can be detached easily. Pay close attention and make sure that the unit will not lose its balance falling to the ground.



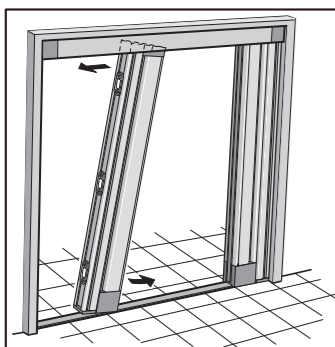
② Temporarily place the anchor plate in the position marked after peeling the tape off the anchor plate. Fix it with the tapping screws.

Note) Do not tight the tapping screw too much. It may damage the anchor plate. Do not use electric screwdriver. If the anchor plate comes off together with the unit, refer procedure "In case of cloth finish" and attach the anchor plate separately.

9 Screen unit installation



Follow the same procedure as that of anchor plate and push it on to the anchor plates so that it clicks on it firmly.



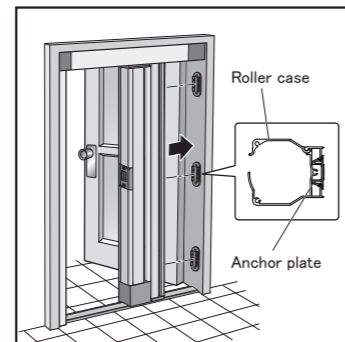
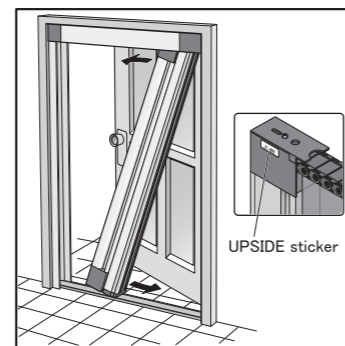
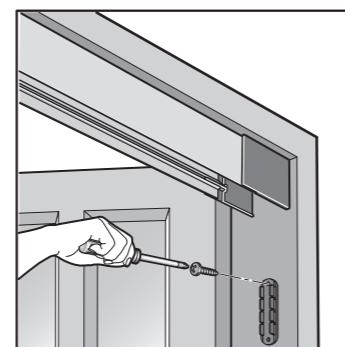
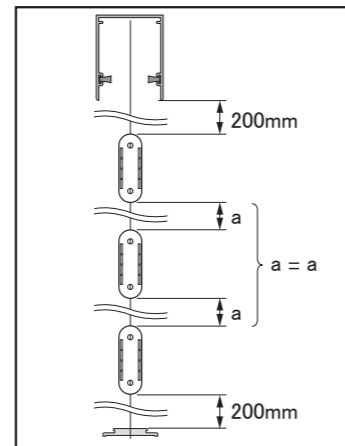
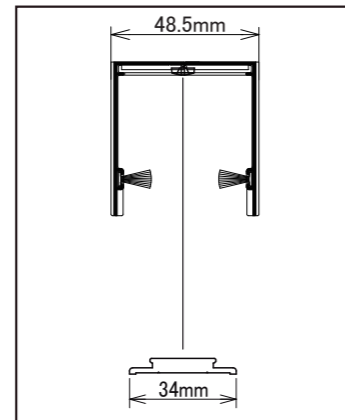
For Double doors
Attach another screen door unit in the same procedures.

Completed Installation and check points

The installation is done. Check the following points before delivering the product to the client.

- ① Test and operate "close & open" of the product a few times to check if there is any problem.
- ② Check if there is any problem with the installation of top rail and bottom rail.
- ③ Check if there is any scratch, bend, or distortion on the aluminum profiles.
- ④ Check if anchor plates and aluminum profiles are respectively well fixed.
- ⑤ Check if there is no space between the slide bar and the stop post.

6 In case of cloth finish



① Draw a line along the frame on the side of stile post from top rail down to bottom rail.

② Mark the point 200mm away from top rail and from bottom rail on the line drawn in ①. Place the rest of the anchor plates on the frame with the same distance.

③ Temporarily place the anchor plate in the position marked after peeling the tape off the anchor plate.

④ Fix it with the tapping screws.

Note) If you screw it too tightly, the anchor plate may be broken. Don't use the electric screw driver.

⑤ Take the bonding tape off the screen unit.

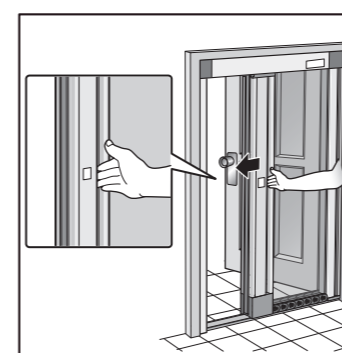
⑥ Confirm the top side of the screen unit. As scorpionfish U has "UPSIDE" sticker on it, it's easy to know which is the top side.

⑦ Tilt the screen unit and insert it in the space between Top rail cap A and Bottom rail on Roller case side.

⑧ Make sure the unit is on the rail and slide it to the anchor plate. Push it hard so the unit reconnects with the anchor plate.

Note) Don't let the screen unit float and derail off the bottom rail. Never do any "close and open" operation of the screen unit till all the installation is completely done. It may cause the damages.

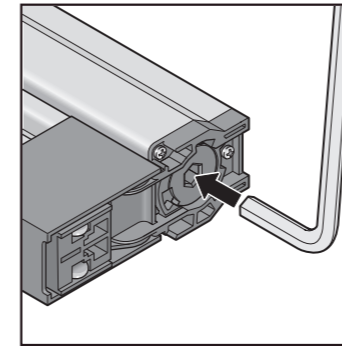
How to operate the product



Hold the center of the sliding bar for open and close operation. A magnet is installed inside the stop post to keep the screen unit tightly closed.

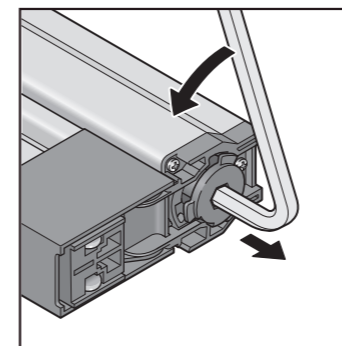
Note) Operating the sliding bar at an extreme position may affect its operation.

Adjustment on the "open" speed of the screen unit



If the screen unit is not retracted into the roller case when it is closed, insert the tip of the hexagonal wrench into the hole at the bottom of the roller case cap in the roller case, lift it up a little bit and rotate it two turns in the direction of the arrow indicated to the left.

Note) Never do the "close & open" operation during this procedure.



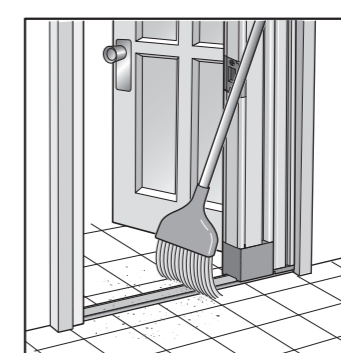
When the screen unit is retracted into the roller case with high speed right after you open it, insert the tip of hexagonal wrench into the hole at the bottom of the roller case cap in the roller case, lift it up a little bit and rotate it two turns in the opposite direction of the arrow indicated to the left. And put back the roller case cap into the roller case keeping it as it is.

Note) Don't rotate the wrench more than two turns (more or few).

Warning

This product uses high spring force to retract the net. Do not let your hands off from the wrench when adjusting it. The spring will lose its pressure to hold, rapidly rotating back and may cause a serious injury.

How to clean



1. Cleaning the bottom rail
With dust, sand, dirt, gravel piled around or along the bottom rail, it may be the cause of the wear & tear or the breakage of the parts, the smooth "close & open" operation may not be performed. Try to clean and get rid of them frequently.



2. Cleaning the screen unit
Wipe off the stain on the screen gently with the cloth soaked with water.

Note) Never do the "close & open" operation of the screen unit when you detach it off the frame. It may cause the damage.
Note) Do not use detergent or any chemical substances to clean the unit.
Note) Do not use hard brush or anything that may damage the net. Only use soft damp cloth to wipe off the dust on the net.